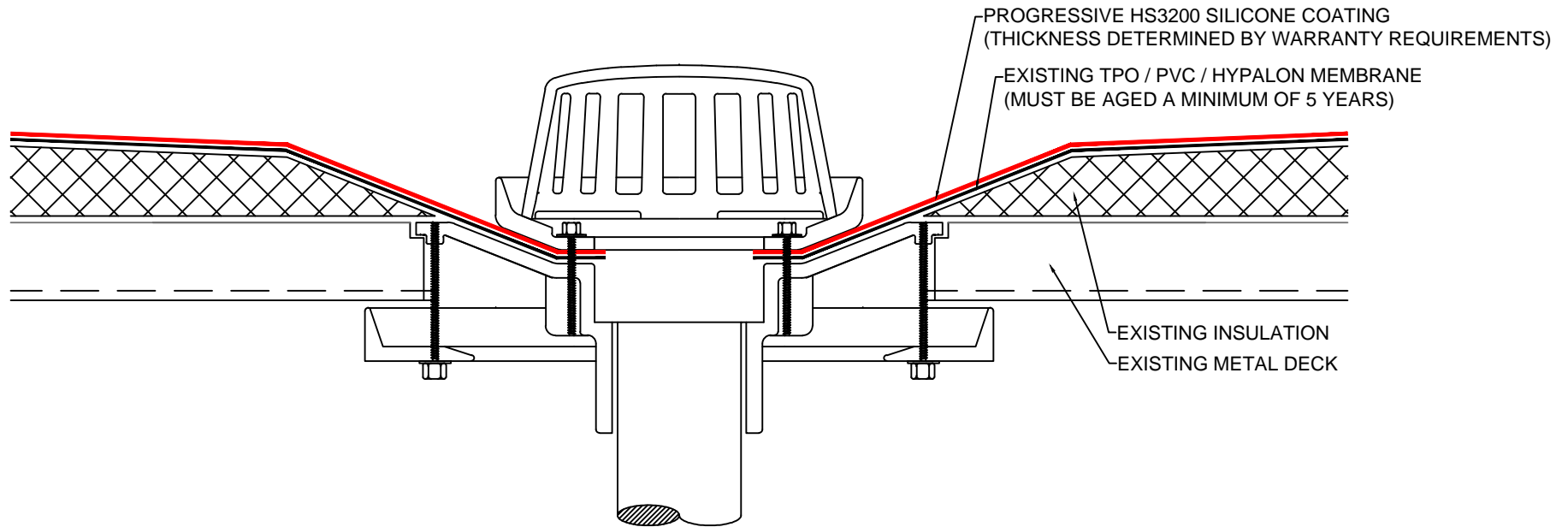


SILICONE RCR SYSTEM

EXISTING TPO, PVC, HYPALON, EPDM MEMBRANE

NOTE: PRIME AS REQUIRED TO ENSURE ADEQUATE ADHESION



Detail: Drain Detail - TPO, PVC,
Hypalon, EPDM

Scale: Not To Scale

540 Central Court
New Albany, IN 47150
812-944-7803 phone
812-944-7804 fax