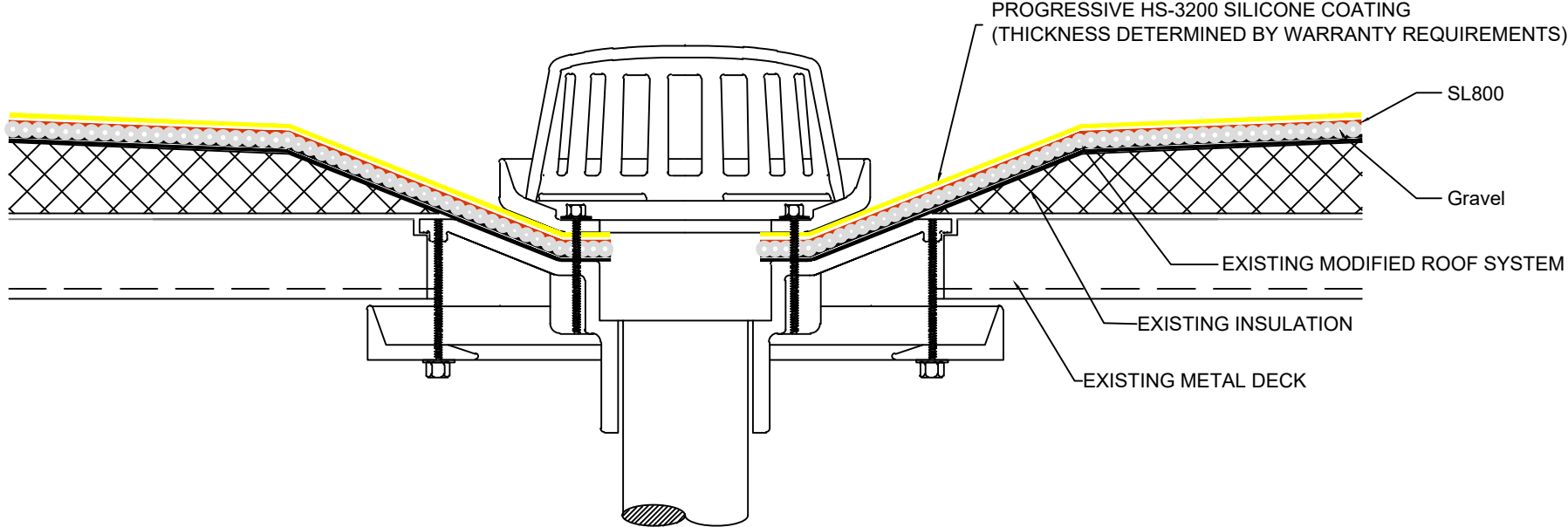


SILICONE RCR SYSTEM

EXISTING GRAVEL BUR MEMBRANE



NOTE: INSTALL BLEED BLOCK PRIMER AS REQUIRED



Detail: Drain Detail - Gravel BUR

540 Central Court
New Albany, IN 47150
812-944-7803 phone
812-944-7804 fax

Scale: